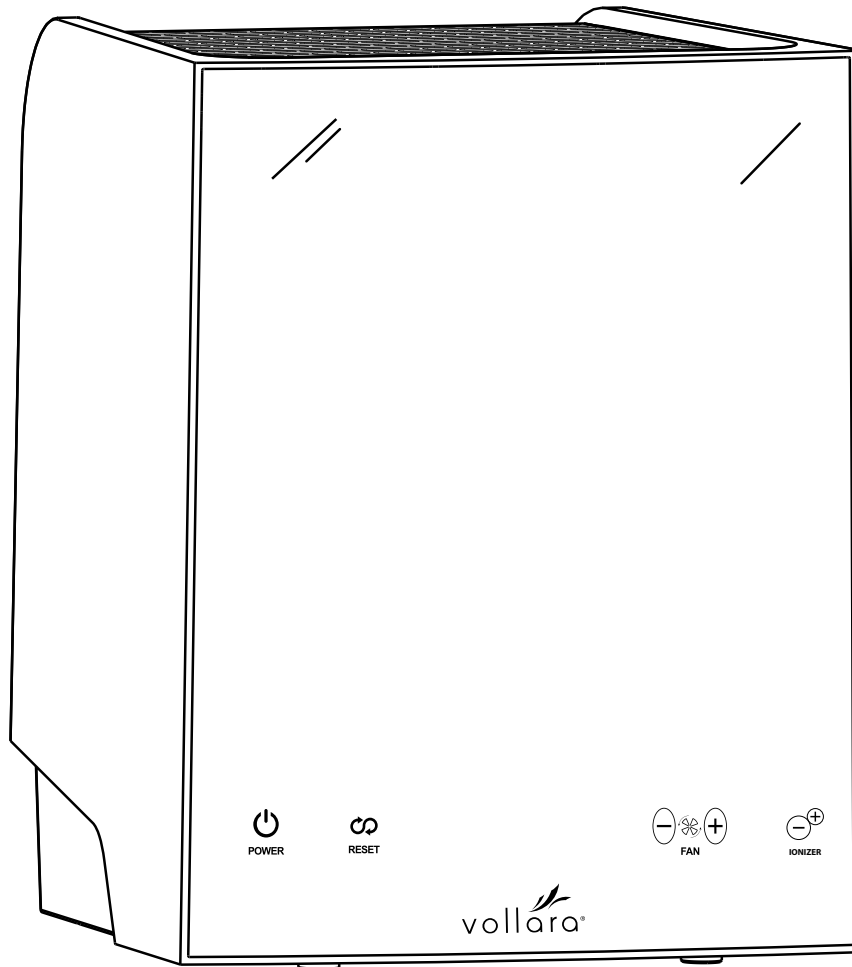


vollara®  
**AIR & SURFACEPRO XL**



## PORTABLE SURFACE & AIR PURIFICATION SYSTEM

READ MANUAL CAREFULLY FOR PROPER USE AND OPTIMAL OPERATION.



# GENERAL INFORMATION

## PRODUCT OVERVIEW

Congratulations on your purchase! Your new Vollara® Air & Surface Pro XL utilizes tested ActivePure Technology to provide 24/7 surface and air purification. Be sure to read and follow all service procedures outlined in this owner's manual, and use only genuine Vollara replacement parts.

## CONTENTS

Product Overview . . . . .	2
Specifications . . . . .	2
Important Safety Instructions . . . . .	3
For Canadian Customers Only . . . . .	4
Inspection . . . . .	5
Unit Features . . . . .	5
Operation . . . . .	6
Control Panel Notifications . . . . .	7
Maintenance Reminders . . . . .	7
General Maintenance. . . . .	8
Removing the Filter Assembly. . . . .	9
Removing the ActivePure® Cell Assemblies . . . . .	10
Installing the ActivePure® Cell Assemblies . . . . .	10
Troubleshooting . . . . .	11
Replacement Parts & Service. . . . .	12
Warranty Information . . . . .	13
FCC Declaration & Responsible Party . . . . .	14

## FILL IN AND SAVE

Record information regarding your new Vollara Air & Surface Pro XL here. Retain for future reference.

Model No. \_\_\_\_\_

Serial No. \_\_\_\_\_

Date of Purchase \_\_\_\_\_

Vollara Independent Distributor:

Name \_\_\_\_\_

Phone No. \_\_\_\_\_

Address \_\_\_\_\_

## SPECIFICATIONS

### Vollara Air & Surface Pro XL

- Model Number: B1040C
- Sales Number: 00772

**Model A1040B Meets California ozone emissions limit. CARB certified.**

### Technology:

- ActivePure Technology (2 Cells) — 290 mA bulb
- HEPA Filter
- Activated Carbon Filter
- Carbon Brushes

### Electrical:

- Input Voltage: 100 ~ 240 VAC; 50/60 Hz
- External Power Supply: DC 24 Volts; 3 Amps Max
- Power Consumption: 56 Watts Max
- Conforms to UL STD 867

### Mechanical:

- Nominal Airflow Rate: 40-100 CFM Adjustable Speed Fan

### Sound Level:

- 45 dB(A) on low; 55 dB(A) on high

### Weight & Dimensions:

- 10.4 lbs (4.72 kg)
- 14.17" H x 11.7" W x 12" D  
(35.9 cm x 29.7 cm x 30.5 cm)

### Operating Temperature:

- 34°F – 100°F (1.6°C – 38°C)

### Coverage<sup>1</sup>:

- Up to 3,500 sq. ft. (325 m<sup>2</sup>) depending on occupant density and other factors<sup>1</sup>. High density commercial not to exceed 750 sq. ft. (69.7 m<sup>2</sup>).

### Warranty:

- Limited three (3) year warranty

**We reserve the right to change or modify any specification without notice.**

1. Assumes 8 foot ceilings. Solutions should be customized based upon a variety of factors including HVAC system capabilities and settings, air flows taking into account walls, air pressure, and doors, ambient air temperatures and humidities, variable density, known VOC concentrations, and other layers of protection.

## STORAGE AND DISPOSAL

Do not dispose of this product as household waste. Electrical waste and electronic products should be appropriately recycled as required by practices established by your local authority.



**If you have any questions concerning this, or any Vollara product, contact your Vollara Independent Business Owner or Customer Service at 800.989.2299 or email [customerservice@vollara.com](mailto:customerservice@vollara.com)**

# IMPORTANT SAFETY INSTRUCTIONS

---



**WARNING**

- Eye damage may result from directly viewing the light produced by the lamp used in this product; always turn off & unplug unit before removing filters or bulbs
- Do not operate this unit without the Filter Assembly and Back Cover installed
- Disconnect power cord before servicing
- When using electrical appliances, basic precautions should always be followed to reduce risk of fire, electric shock, and injury to persons, including the following:



**CAUTION**

- Allow your Vollara® Air & Surface Pro XL to warm to room temperature before operating; damage may result from turning on a cold unit
- Do not operate unit near heat sources, open flame, or combustible vapors or gases

Read this manual in its entirety before using your Vollara Air & Surface Pro XL

Keep out of the reach of children.

- **NEVER** place your unit where it may fall into a bathtub or other water container; to protect against electrical hazards, **DO NOT** immerse in water or other liquids
- **DO NOT** touch the control panel or plug with a wet hands
- **DO NOT** run cord under carpeting; **DO NOT** cover cord with throw rugs, runners, or similar coverings; arrange cord away from traffic area and where it will not be tripped over
- **DO NOT** insert or allow foreign objects to enter any ventilation or exhaust opening as this may cause an electric shock or fire, or damage the air cleaner
- To prevent a possible fire, **DO NOT** block the air intakes or exhaust in any manner; **DO NOT** use on soft surfaces, like a bed, where openings may become blocked
- To avoid fire or shock hazard, plug the unit directly into an electrical outlet
- To disconnect the unit, turn controls to **OFF**, then remove plug from outlet; pull firmly on the plug, **DO NOT** unplug by pulling on the cord
- Always unplug the unit before moving or cleaning, or whenever the unit is not in use
- **DO NOT** use outdoors or on wet surfaces
- **DO NOT** attempt to repair or adjust any electrical or mechanical functions on this unit, doing so will void your warranty
- Connect to properly grounded outlets only
- To reduce the risk of electrical shock, do not change the plug in any way; **DO NOT** use adapters

**SAVE THESE INSTRUCTIONS**

# FOR CANADIAN CUSTOMERS ONLY

---

## **VOLLARA® AIR & SURFACE PRO XL**

Sales No. : 00772

**This UV device helps reduce the spread of viruses in the air.**

**Keep out of the reach of children.**

**Please read the label and owner's manual before using:** [vollara.com/manuals](http://vollara.com/manuals)

### **PRECAUTIONS:**

**WARNING:** UV radiation emitted from this device. Unintended use of the device, or damage to the housing, may result in exposure to ultraviolet radiation. Ultraviolet radiation may cause eye and skin irritation. Avoid exposing eyes and skin to ultraviolet radiation.

**FIRST AID INSTRUCTIONS:** Please contact your healthcare provider in the event of injury caused by this device.

### **DIRECTIONS FOR USE:**

Plug the cord into a working electrical outlet, leaving at least one inch of open area to allow for airflow. Please see this manual for detailed instructions on using, handling, storing and disposing of the device, and procedures to mitigate any associated risks.

The use of this device is a supplement to and not a substitute for standard infection control practices; users must continue to follow all current infection control practices, including those related to the cleaning and disinfection of environmental surfaces.

### **FOR INQUIRIES CONTACT:**

AERUS CANADA, INC.  
Laird Business Park  
3480 Laird Road, Units 2–5  
Mississauga, Ontario, Canada, L5L 5Y4

W. Parrell, Manager  
(905) 569-9399  
[wparrell@aerusonline.com](mailto:wparrell@aerusonline.com)

Aerus Canada, Inc. is affiliated with Vollara, LLC  
1300 Valley Drive, Bristol, Virginia 24201

# INSPECTION

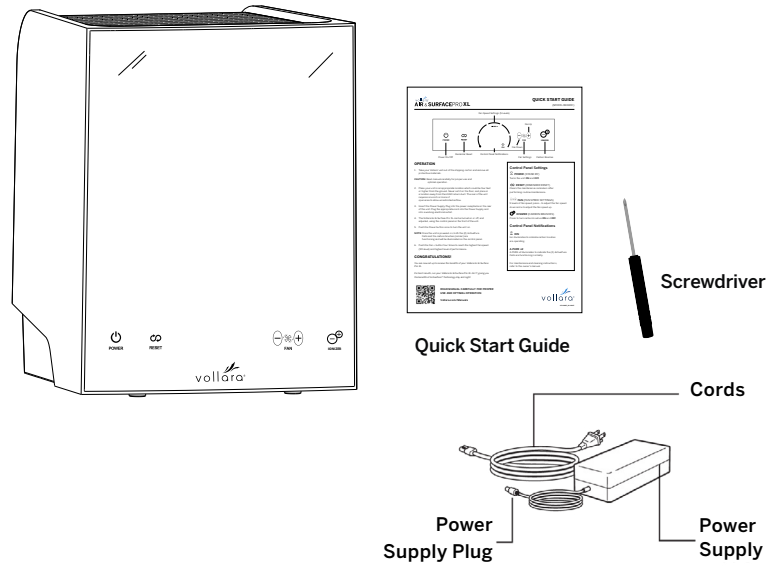
1. Remove protective packaging
2. Remove unit from shipping carton
3. Remove all protective materials
4. Check for shipping damage and loose or broken parts

## Check additional package contents:

- Power Cord (1)
- Power Supply (1)
- Power Supply Plug (1)
- Small Screwdriver (1)
- Quick Start Guide (1)

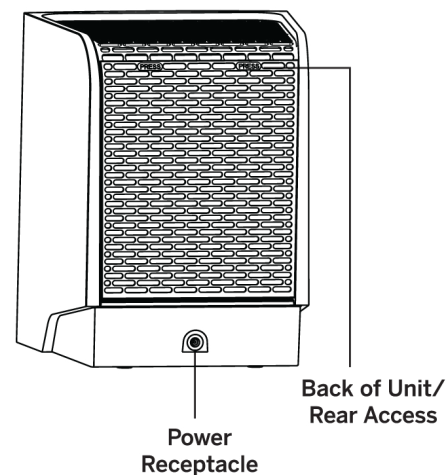
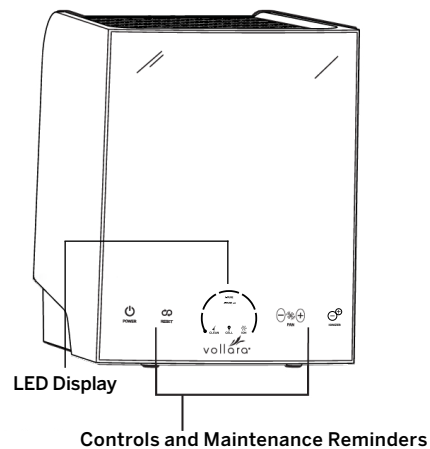
5. Read Owner's Manual thoroughly prior to installation

Vollara® Air & Surface Pro XL



# UNIT FEATURES

- Exclusive ActivePure® Technology
- HEPA Filter
- Activated Carbon Filter
- Multiple Carbon Brushes aid in the capture of contaminants
- Five Speed Fan
- LED Display
- Maintenance Reminders
- Replaceable ActivePure Cell Assemblies (Qty 2)
- Removable Rear Grill
- Universal Power Supply with Cords

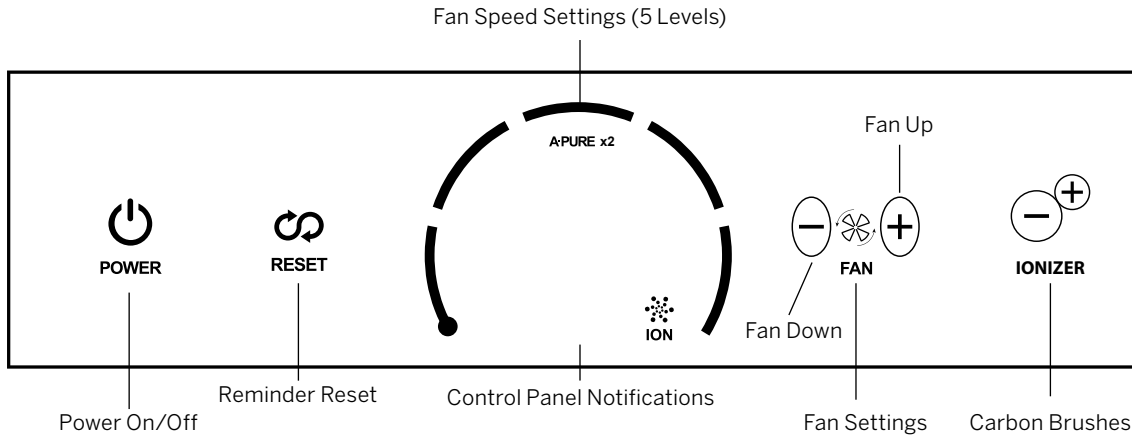


# OPERATION



## CAUTION

- To prevent injury, be sure the power cord is not accessible to small children.
- Read manual carefully for proper use and optimal operation.



## OPERATION


1. Take your Vollara® unit out of the shipping carton and remove all protective materials.
2. Place your unit in an appropriate location which could be four feet or higher from the ground. Never set it on the floor, and place in a location away from the HVAC return duct. The rear of the unit requires one inch or more of open area to allow unrestricted airflow.
3. Insert the Power Supply Plug into the power receptacle on the rear of the unit. Plug the appropriate cord into the Power Supply and into a working electrical outlet.
4. The Vollara Air & Surface Pro XL can be turned on or off, and adjusted, using the control panel on the front of the unit.
5. Push the Power button once to turn the unit on.


**NOTE:** Once the unit is powered on, both the (2) ActivePure Cells and the carbon brushes (ionizer) are functioning and will be illuminated on the control panel.

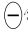
6. Push the Fan + button four times to reach the highest fan speed (5th level) and highest level of performance.

**NOTE:** For best results, run your Vollara Air & Surface Pro XL 24 hours a day, 7 days a week, giving you the benefits of ActivePure day and night.

### Control Panel Settings


 **POWER (STAND BY)**  
Turns the unit **ON** and **OFF**.

 **RESET (REMINDER RESET)**  
Clears the maintenance reminders after performing routine maintenance.

 **FAN (FAN SPEED SETTINGS)**  
5 levels of fan speed; press - to adjust the fan speed down and + to adjust the fan speed up.

 **IONIZER (CARBON BRUSHES)**  
Press to turn carbon brushes **ON** and **OFF**.

### Control Panel Notifications

 **ION**  
Ion illuminates to indicate carbon brushes are operating.

**A·PURE x2**  
A·PURE x2 illuminates to indicate the (2) ActivePure Cells are functioning normally.

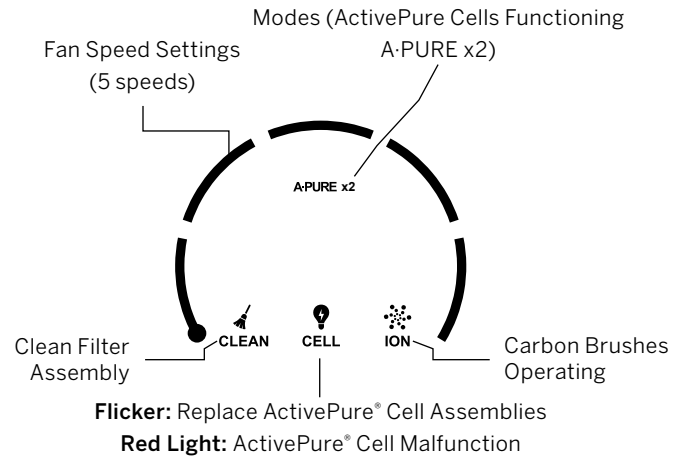
For maintenance and cleaning instructions, refer to the owner's manual.

# CONTROL PANEL NOTIFICATIONS


The LED Screen is used to display all operation settings (see page 5) as well as any maintenance reminders.

If a maintenance reminder or a service reminder appears, the backlight will brighten and constantly flash until the Reminder Reset icon is pressed or the service problem is corrected.

When maintenance is required, the Display Screen will brighten and flash and the Maintenance Reminder will appear.



# MAINTENANCE REMINDERS



**WARNING**

- Unplug the unit before performing any maintenance procedures
- Do not operate the Vollara® Air & Surface Pro XL without the Filter Assembly and Back Cover properly installed

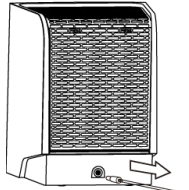
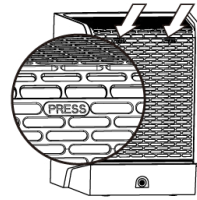
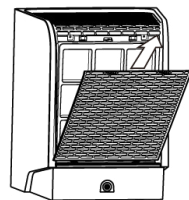
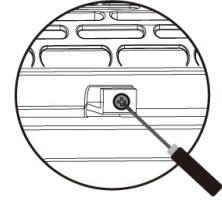
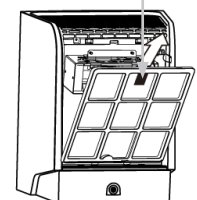
## PERFORM CLEANING

- The perform cleaning CLEAN indicator will come on approximately every 180 days; for optimal performance, it is recommended to perform cleaning on your unit every 30 days
- Clean the Filter Assembly (See Page 8)
- Vacuum the ActivePure Cell Assemblies
- Vacuum Top and Rear Grill openings

**NOTE:** Be sure to press the Reminder Reset icon to clear the reminder following regular maintenance (see below)

**When the CLEAN indicator starts flashing, it reminds you to clean the filter.**

Follow the steps below to remove the filter and clean it. While powered on, hold the Reset button, approximately three seconds, until you hear a beep sound alerting you that it has been cleared.

-  1. Unplug unit
-  2. Press the top of the back cover to release the back panel
-  3. Lift up to remove the back panel
-  4. Use the included screwdriver to unscrew the Filter Assembly
-  5. Lift the Filter Assembly up and out to remove

## MAINTENANCE REMINDERS (CONTINUED)



Do not operate the Vollara® Air & Surface Pro XL without the Filter Assembly and Back Cover properly installed.



The ActivePure Cell Assemblies should be replaced every 12 months, even if the unit does not display this message.



CELL

### REPLACE ACTIVEPURE CELL ASSEMBLIES

The CELL indicator will light up if the ActivePure® Cell Assemblies is no longer working. To order a new ActivePure Cell Assemblies, contact your Independent Distributor/Contractor or Vollara Customer Service at 800.989.2299.

**When the CELL indicator starts flashing, you will need to perform the following operations to reset:**

- After 12 months of cumulative use, the CELL indicator starts flashing. After the user replaces the new ActivePure Cell Assemblies according to the operation steps on page 10 of the manual, long press the RESET button for three seconds under the power off / standby state, you will hear a beep sound to let you know the reminder has been cleared.

**When the CELL indicator starts flashing in red, you will need to perform the following operations to reset:**

- The CELL indicator flashes in red to remind the user that ActivePure Cell Assemblies is not properly installed. After disconnecting the power supply, reinstall ActivePure Cell Assemblies and check whether the socket is installed properly. After the installation is successful, there is no need to press the RESET icon, the red light will automatically turn off. After the above operations, if the indicator remains flashing in red, ActivePure Cell Assemblies is possibly damaged. In this case, contact your Independent Distributor/Contractor or Vollara Customer Service at 800.989.2299.

### Resetting the Reminders

The reminders you need to reset are the **PERFORM CLEANING** and **REPLACE ACTIVEPURE CELL ASSEMBLIES** indicators (after performing maintenance, press the Reset icon and the screen will stop flashing to let you know the reminder has been cleared, please see above instructions for each indicator).

## GENERAL MAINTENANCE



Unplug the unit before performing any maintenance procedures.



For optimal performance and to maintain the limited 3 year warranty, it is required to replace the ActivePure Cell Assemblies every 12 months, even if the ActivePure bulb appears to operating normally.

Periodic maintenance is required to ensure that your Vollara Air & Surface Pro XL operates properly. The unit will display a PERFORM CLEANING reminder when it's time to perform regular maintenance. If you are operating your unit in a severely polluted environment, cleaning of the unit, The ActivePure Cell Assemblies, and Filter Assembly should be done more frequently. Shown here are basic procedures that should be carried out to keep your unit running at top performance.

For optimal performance, and to prevent damage not covered by your warranty, install the Optional HEPA Filter. Failure to perform routine maintenance could adversely affect the proper function of the unit or cause it to fail prematurely.

**NOTE:** If a unit is returned for repair, and it is determined that neglect of the unit or unauthorized tampering with any mechanical or electronic component of the unit caused the failure, Vollara reserves the right to void the product warranty. This will require the owner to pay for any required repairs.



# GENERAL MAINTENANCE (CONTINUED)

## Cleaning the Case

Wipe the unit with a soft cloth dampened (not wet) with water. Do not use chemicals or solvents. Vacuum the Top and Rear Grills periodically to remove any lint buildup.

## Cleaning the ActivePure Cell Assemblies

Remove the ActivePure® Cell Assemblies and carefully vacuum accumulated lint. Do not wash the ActivePure Cell Assemblies. Damage from water may result.

## Filter Assembly Cleaning

1. When visibly dirty, simply remove the Rear Filter Assembly from the unit (see page 8), and with a hand-held vacuum, remove the heavy particulate. This method will extend the life of the Filter Assembly.
2. If the Filter Assembly can't be cleaned by vacuuming, replace the Filter Assembly.

## Filter Assembly Replacement

Contact your Independent Distributor/Contractor or Vollara® Customer Service at 800.989.2299 for replacement filters (see pages 8 – 9 for removal and installation instructions).

**NOTE:** Filter Assembly life will vary based on the operating environment.

## Changing the ActivePure Cell Assemblies

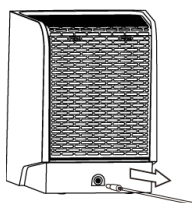
The ActivePure Cell Assemblies should be replaced when **REPLACE ACTIVEPURE CELL ASSEMBLIES** appears on the display, or twelve (12) months when used continuously. To change the ActivePure Cell Assemblies, follow the instructions on page 10.

# REMOVING THE FILTER ASSEMBLY

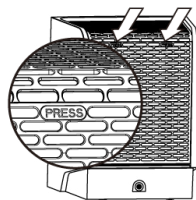


**WARNING**

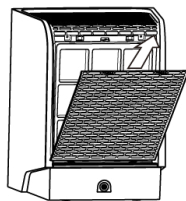
- Unplug the unit before performing any maintenance procedures
- Do not operate the Vollara Air & Surface Pro XL without the Filter Assembly and Back Cover properly installed



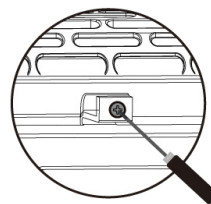
1. Unplug unit



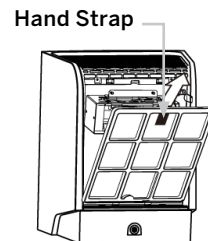
2. Press the top of the back cover to release the back panel



3. Lift up to remove the back panel



4. Use the included screwdriver to unscrew the Filter Assembly



5. Lift the Filter Assembly up and out to remove

# REMOVING THE ACTIVEPURE® CELL ASSEMBLIES



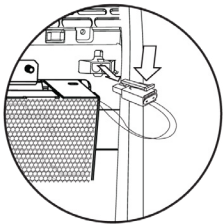
**WARNING**

- Unplug the unit before performing any maintenance procedures
- **DO NOT** operate the Vollara Air & Surface Pro XL without the Filter Assembly and Back Cover properly installed
- **DO NOT** look directly at the glowing bulb. Prolonged exposure, even to reflected UV light, can cause eye damage according to the American Conference of Governmental Industrial Hygienists (ACGIH) Standards.

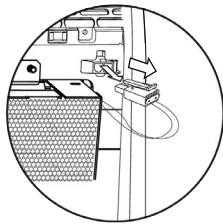


**CAUTION**

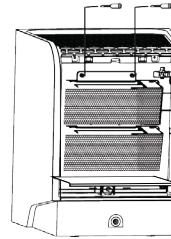
Use genuine ActivePure replacement parts only. Any other parts may damage your unit and void your warranty.



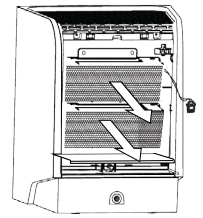
1. Unlock the ActivePure Cell Assemblies connector by pressing on the connector's locking tabs.



2. Pull the connector straight out to unplug.



3. Remove two (2) thumbscrews.



4. Slide the ActivePure Cell Assemblies down and out of the unit.

# INSTALLING THE ACTIVEPURE® CELL ASSEMBLIES



**WARNING**

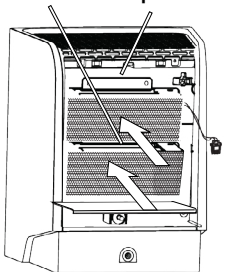
- Unplug the unit before performing any maintenance procedures
- **DO NOT** operate the Vollara Air & Surface Pro XL without the Filter Assembly and Back Cover properly installed
- For Model B1040C: Only use ActivePure Cell Assemblies (290 mA Bulb) (50294); **DO NOT** use any other cells, or product/cell damage could occur



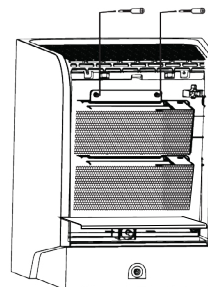
**CAUTION**

- For optimal performance and to maintain the limited 3 year warranty, it is required to replace the ActivePure® Cell Assembly every 12 months, even if the ActivePure bulb appears to be operating normally
- Use genuine ActivePure replacement parts only; parts from anyone other than Vollara may damage your unit and void your warranty

Center Tab    Top Bracket



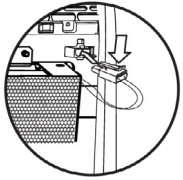
1. Insert the ActivePure Cell Assemblies up and into the unit. Position the bottom v-groove onto the center tab below and rotate up to place the top bracket onto the (2) screws located above.



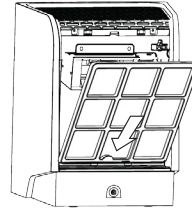
2. Insert the two thumbscrews and tighten. Insert the ActivePure Cell Assemblies connector into the plug at the rear of the unit.

**NOTE:** For further assistance view [Maintenance Video](#).

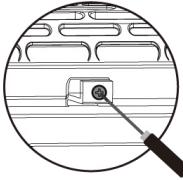
# INSTALLING THE ACTIVEPURE® CELL ASSEMBLIES (CONTINUED)



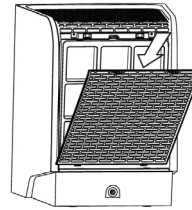
3. Press the connector firmly until the two tabs lock into place.



4. Replace the Filter Assembly, inserting the bottom of the Filter Assembly first.



5. Use the included screwdriver to screw in the Filter Assembly.



6. Replace the Back Cover by inserting the bottom in first and snapping it into place.

## TROUBLESHOOTING

### Indicators of Operation

When the unit is on, the LED display will show either the fan setting and **A·PURE x2**, or **Ion**.

### Troubleshooting — What To Look For First

1. **I have plugged in the unit, pressed the ON button on the Vollara® Air & Surface Pro XL, and nothing happens. What's wrong?**
  - Make sure the power cord is inserted completely into the receptacle on the back of the unit
  - Make sure the electrical outlet is capable of providing power to the unit
2. **The UV Lamp is not functioning / I'm getting a "Replace ActivePure® Cell Assembly" Message.**
  - Check ActivePure Cell Assemblies for proper installation
  - Replace the ActivePure Cell Assemblies
3. **What are the most typical application problems?**
  - **Symptom:** A belief that the proper equipment is placed in the environment and the equipment appears unsuccessful
  - **Problem:** Lack of air movement, improper placement of the unit
  - **Symptom:** Visual haze of smoke and/or particulate remain within the environment
  - **Problem:** Lack of ionization and/or air movement
4. **Air flow is restricted or reduced.**
  - Is the unit properly placed away from objects that may obstruct air flow?
  - Are the Filter Assembly, Back Cover, and Top and Rear Grill clean?
  - Are the ActivePure Cell Assemblies clean?
5. **How can I tell if the ActivePure Cell Assemblies are functioning?**
  - The ActivePure Cell Assemblies will produce a glow that is visible through the Top and Rear Grill under low light conditions
6. **Unit does not operate.**
  - Is the unit plugged in?
  - Are you sure the outlet is active?
  - Are the Filter Assembly and Back Cover installed properly?

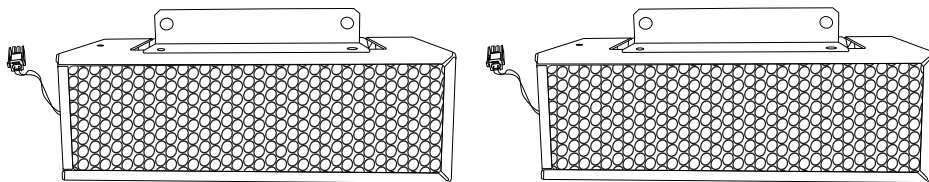
**If your unit fails to operate properly after performing troubleshooting contact your independent Vollara Business Owner or Vollara Customer Service for further assistance at 1.800.989.2299 or email [customerservice@vollara.com](mailto:customerservice@vollara.com).**

# REPLACEMENT PARTS & SERVICE



- Use only replacement parts recommended by the manufacturer
- For Model B1040C: Only use ActivePure Cell Assemblies (290 mA Bulb) (50294); **DO NOT** use any other cells, or product/cell damage could occur

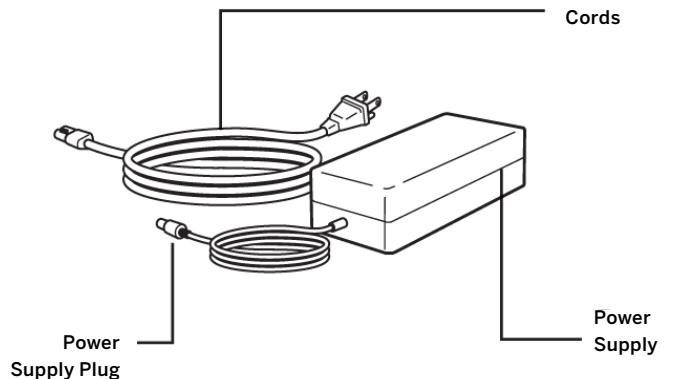
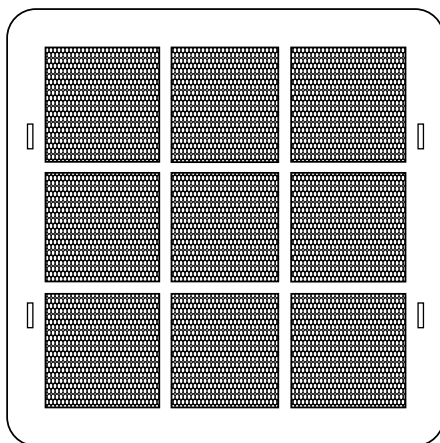
REPLACEMENT PARTS	PART NUMBER
ActivePure Cell Assembly, 12 Inch XL (1) NOTE: Need to replace two (2) ActivePure Cell Assemblies for this unit.	50294
Filter Assembly XL (1)	50295
Power Supply with U.S./Euro Plug (1)	50296



**ActivePure Cell Assemblies**

Two (2) ActivePure Cell Assemblies required for unit operation.

**Filter Assembly**



**To order replacement parts, contact your independent Vollara Business Owner or Vollara Customer Service for further assistance at 1.800.989.2299 or email [customerservice@vollara.com](mailto:customerservice@vollara.com).**

# WARRANTY INFORMATION

## Limit Three (3) Year Warranty

To register your Vollara Air & Surface Pro XL unit, visit [vollaraintl.com/vollara/warrantyregistration.aspx](http://vollaraintl.com/vollara/warrantyregistration.aspx).

### WHAT IS COVERED BY THIS WARRANTY

We warrant the Vollara Air & Surface Pro XL (excluding filters) to the consumer, subject to the conditions below, against defects in workmanship or material, provided that the products are returned to Vollara, LLC within the following time periods:

- Vollara Air & Surface Pro XL within three (3) years from date of purchase
- ActivePure Cell Assemblies within one (1) year from date of purchase

### MAINTENANCE REQUIREMENTS

This warranty is expressly conditioned upon proper, operation, cleaning and maintenance, all in accordance with the Owner's Manual. Failure to meet any of these requirements will void this warranty. Servicing of your Vollara Air & Surface Pro XL by parties other than our authorized representative and/or using parts other than genuine parts will also void this warranty. This warranty is contingent upon:

- Replacing the (2) ActivePure Cell Assemblies every (1) one year with a genuine ActivePure part (proof of change required)
- Cleaning the Filter Assembly every 30-180 days (according to instructions in Owner's Manual)
- Replacing the Filter Assembly every 6-12 months (proof of purchase required)

### HOW TO OBTAIN WARRANTY SERVICE

Customer must contact Vollara Customer Service or go online to [vollaraintl.com/vollara/warrantyregistration.aspx](http://vollaraintl.com/vollara/warrantyregistration.aspx) to activate their warranty within 6 months of purchase. We will repair or replace and return the product, without charge and within a reasonable period of time, subject to the conditions in the above paragraphs, if its examination shall disclose any part to be defective in workmanship or material. If we, in our discretion, are unable to repair the product after a reasonable number of attempts, we will provide either a refund of the purchase price or a replacement unit, at the company's option.

### WHAT IS NOT COVERED BY THIS WARRANTY

Ordinary wear and tear shall not be considered a defect in workmanship or material. These warranties do not apply to filters nor for loss or damage caused by accident, fire, abuse, misuse, improper installation, modification, or misapplication.

### MISSING SERIAL NUMBERS AND UNAUTHORIZED CHANNELS

If a valid serial number is missing from the product, the warranty will be voided. Warranties are voided if a product is purchased through unauthorized channels, this includes websites that are not authorized to sell our products OR to use Vollara trademarked names, images and logos as well as Internet auction sites (e.g. ebay and Craigslist). The only approved Internet presence for Vollara products is [vollara.com](http://vollara.com). To confirm warranty coverage prior to purchasing a product, contact Vollara Customer Service at 800.989.2299 with the serial number located on the back of the unit.

### EXCLUSION OF OTHER WARRANTIES AND CONDITIONS

EXCEPT AS PROVIDED HEREIN, AND TO THE EXTENT CONSISTENT WITH APPLICABLE LAWS, WE MAKE NO REPRESENTATION OR WARRANTY OF ANY KIND. ALL OTHER WARRANTIES OF ANY KIND, EXPRESS OR IMPLIED, ARE HEREBY EXPRESSLY DISCLAIMED, INCLUDING ANY IMPLIED WARRANTY OF MERCHANTABILITY OR FITNESS FOR A PARTICULAR PURPOSE.

### LIMITATION OF LIABILITY FOR SPECIAL, INCIDENTAL, OR CONSEQUENTIAL DAMAGES

TO THE EXTENT CONSISTENT WITH APPLICABLE LAWS, WE SHALL NOT IN ANY CASE BE LIABLE FOR SPECIAL, INCIDENTAL OR CONSEQUENTIAL DAMAGES ARISING FROM BREACH OF EXPRESSED OR IMPLIED WARRANTIES, CONDITIONS, GUARANTEES OR REPRESENTATIONS, BREACH OF CONTRACT, NEGLIGENCE OR ANY OTHER LEGAL THEORY. Such excluded damages include, but are not limited to, loss of profits or revenue, and loss of the use of the products.

### FOR U.S. APPLICATION ONLY

This warranty gives you specific legal rights, and you may also have other rights which vary from state to state. Some states do not allow limitations on warranties, or on remedies for breach. In such states, the above limitations may not apply to you.

### FOR CANADIAN APPLICATION ONLY

Exclusion of Subsequent Owners: Except as otherwise required by applicable legislation, this warranty is not transferable. This warranty gives you specific legal rights and you may also have other rights which vary from province to province. Some provinces and territories do not allow limitations on warranties, or on remedies for breach. In such provinces or territories, the above limitations may not apply to you. If any provision of this warranty or part thereof is held by a court of competent jurisdiction to be invalid, illegal, or unenforceable, the validity, legality and enforceability of the remaining provisions or parts thereof will not in any way be affected or impaired within the jurisdiction of that court. This entire warranty shall continue to be valid, legal and enforceable in any jurisdiction where a similar determination has not been made.

This warranty is provided by:  
Vollara, LLC  
1300 Valley Drive  
Bristol, VA 24201

### SERVICE

Every effort is made to ensure customers receive an up-to-date instructions manual on the use of our products; however, from time to time, modifications to our products may without notice make the information contained herein subject to alteration. For the latest information, please visit our website at [vollara.com/manuals](http://vollara.com/manuals).

# FCC DECLARATION & RESPONSIBLE PARTY

---

This equipment has been tested and found to comply with the limits for a Class B digital device, pursuant of part 15 of the FCC Rules. These limits are designed to provide reasonable protection against harmful interference in a residential installation. This equipment generates, uses, and can radiate radio frequency energy, and if not installed and used in accordance with the instructions, may cause harmful interference to radio communications. However, there is no guarantee that interference will not occur in a particular installation. If this equipment does cause harmful interference to radio or television, which can be determined by turning the equipment off and on, the user is encouraged to try to correct the interference by one or more of the following measures:

- Reorient or relocate the receiving antenna.
- Increase the separation between the equipment and receiver.
- Connect the equipment into an outlet on a circuit different from that to which the receiver is connected.
- Consult the Independent Contractor for help.

## FCC DECLARATION OF CONFORMITY

**Name:** Vollara® Air & Surface Pro XL

**Model:** B1040C

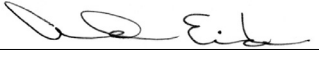
**Manufactured For:** Vollara, LLC

This device complies with Part 15 of the FCC Rules.

## RESPONSIBLE PARTY

Vollara, LLC  
1300 Valley Drive  
Bristol, VA 24201

Ph: 800.572.0502

**Signature:** 

**Printed Name:** Andrew Eide

**Title:** Vice President of Product Development  
and Manufacturing

**Date:** 05/25/23





For information regarding the use of this product please contact your  
Vollara Independent Business Owner or Customer Service at **800.989.2299**  
or email **[customerservice@vollara.com](mailto:customerservice@vollara.com)**.

**[Vollara.com](http://Vollara.com)**